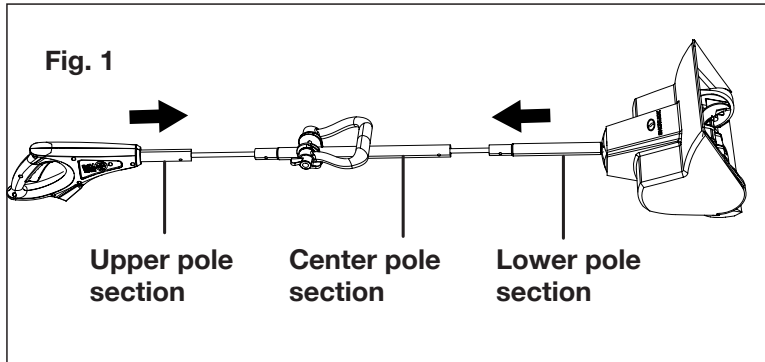




# CORDLESS SNOW SHOVEL POLE ASSEMBLY INSTRUCTION

## UPDATED ASSEMBLY INSTRUCTIONS FOR 24V-SS11 SERIES MODELS

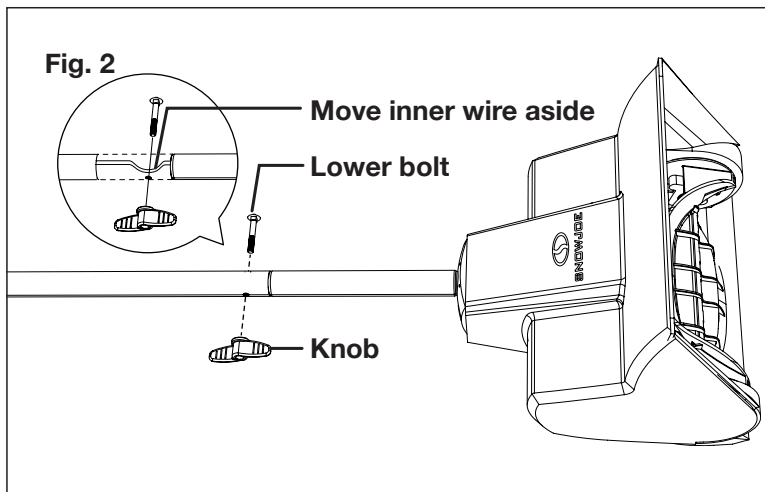


### STEP 01

LAY THE UNIT ON A LEVEL SURFACE.

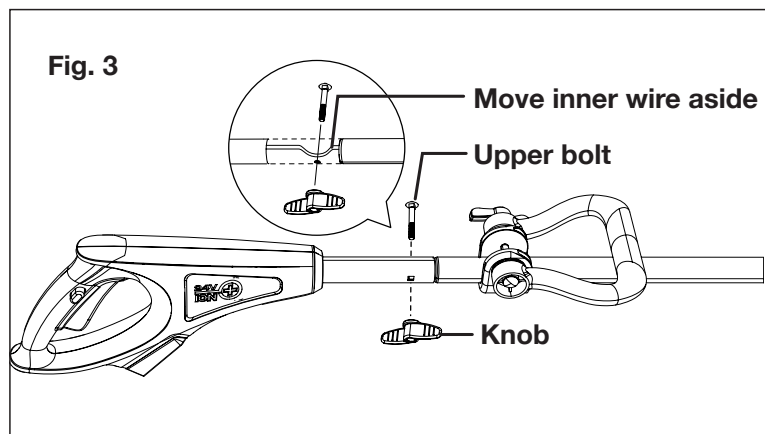
#### IMPORTANT!

INSERT UPPER + LOWER POLE SECTIONS SIMULTANEOUSLY INTO CENTER POLE SECTION. PUSH FIRMLY.



### STEP 02

INSERT LOWER BOLT THROUGH LOWER POLE SECTION WHILE MOVING INNER WIRE ASIDE. SECURE WITH KNOB.



### STEP 03

REPEAT FOR UPPER POLE ASSEMBLY.